

# TORMAX iMotion 2302 – Sliding Door Drive



iMotion®  
the passion to drive doors



intelligent



modular



ecological



reliable



economical

« The **dynamic** sliding door drive for demanding and durable applications. When **elegance** and **peak performance** combine.»

★★★★★  
**TORMAX**  
AUTOMATIC

# Product Information

## TORMAX iMotion 2302 – Sliding Door Drive



### Area of application

- Automatic sliding doors with dynamic movement characteristics for pedestrian passageways
- Internal and external doors, including in noise-sensitive areas
- Linear doors with 1 or 2 sliding leaves, with or without lateral parts
- Telescope doors for narrow passageways
- Air locks or porches
- Rescue and escape routes
- High user frequency

### Functionality

- 6 operating modes (automatic, reduced opening width, exit, permanently open, off, manual operation)
- Adjustable opening and closing speeds
- Adjustable hold-open times
- Time or step control
- 8 programmable inputs, of which 4 testable inputs for safety features, can be extended in modules
- 3 programmable outputs, can be extended in modules
- Interfaces LIN, RS232

### Safety features

- Connection facilities for sensors
- Monitored adjustable power limitation
- Adjustable sensitivity when reversing
- Adjustable for low-energy

### Technology

- Electro-mechanical sliding door drive
- Gearless AC synchronous motor, silent, efficient, durable
- Modular, programmable iMotion control with comprehensive monitoring and diagnostic functions, performance level D

### Accessories

- Electro-mechanical lock
- Key switch
- Mechanical emergency opening
- Battery module for emergency operation
- Supplementary retaining brake
- Speed control when unpowered
- In-/output modules
- Network module
- Auxiliary kit 2302.R for electro-mechanical emergency opening in escape routes

### Dimensions

- Standard: installation height 150 mm, depth 166 mm
- Telescope: installation height 150 mm, depth 247 mm

### Door data

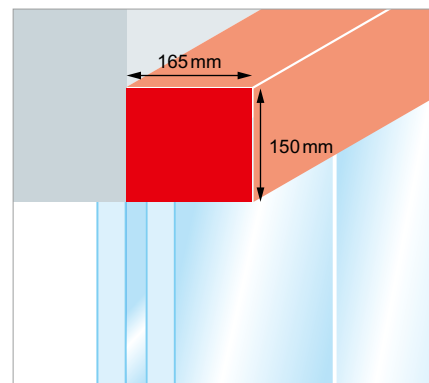
- Door opening widths  
standard: 700 – 3000 mm  
telescope, double-leaf: 800 – 3000 mm  
telescope, four leaves: 1600 – 3800 mm
- Door leaf weight max.  
single-leaf: 1 × 200 kg / 1 × 150 kg (RER)<sup>1)</sup>  
double-leaf: 2 × 180 kg / 2 × 130 kg (RER)<sup>1)</sup>  
telescope, double-leaf: 2 × 120 kg  
telescope, four leaves: 4 × 100 kg

### Mains connection

- 230 VAC 50/60 Hz

### Power consumption

- 8...190 W



Cross-section

### Approvals (directives, standards)

- CE (2006/95/EC, 2004/108/EC, 2006/42/EC)
- TÜV (EN 16005, 1 million cycles with 4000 cycles per day)
- AutSchR (iMotion 2302.R)
- RoHS

<sup>1)</sup> rescue and escape routes